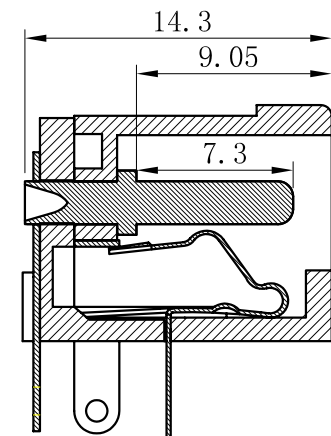
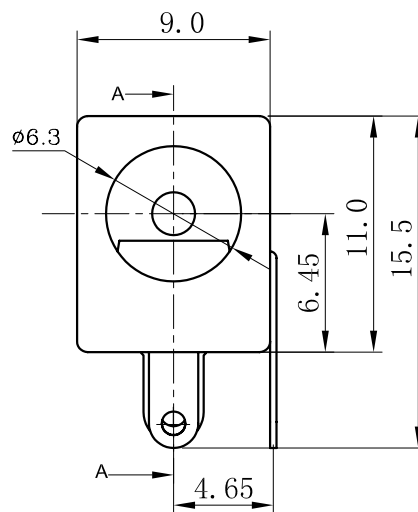
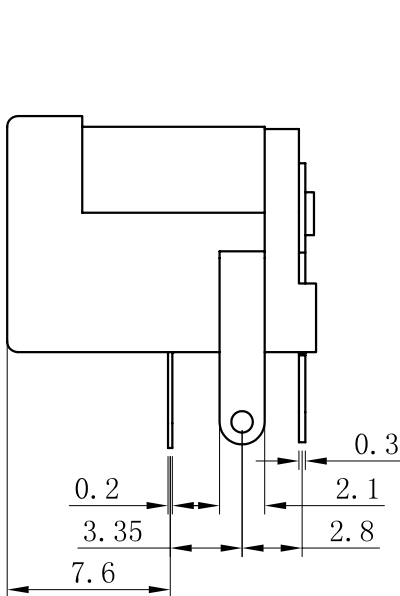
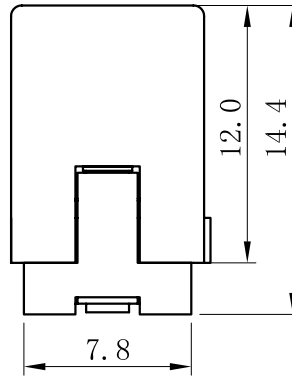
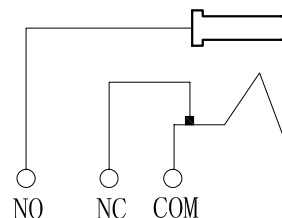


Jacks Type	DC Power Jacks	Model	DC-210
Rating	DC30V 0.3A	Mechanical Life	5,000 cycles
Withstand Voltage	AC500V 1 minute	Electrical Life	1,000 cycles
Insulation Resistance	$\geq 100M\Omega$ DC500V	Operating temperature	-16°C to +65°C
Contact Resistance	$\leq 100m\Omega$ (initial)	Ambient humidity	<85%RH
Solder ability	235 \pm 5°C 3Sec.	Operating force	0.4~3Kgf



SCHEMATIC



Revision	Description		Date
Drawing No.		C/0	Tolerance
Drawing Model.	SPECIFICATION OF STANDARD TYPE		Unit
Prepared	Reviewed	Approved	Effective date
			Revisor
			± 0.2
			mm