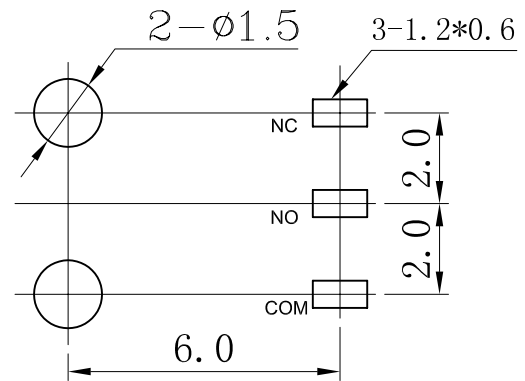
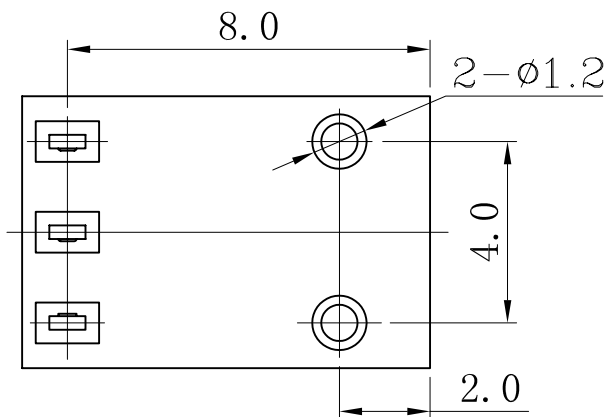
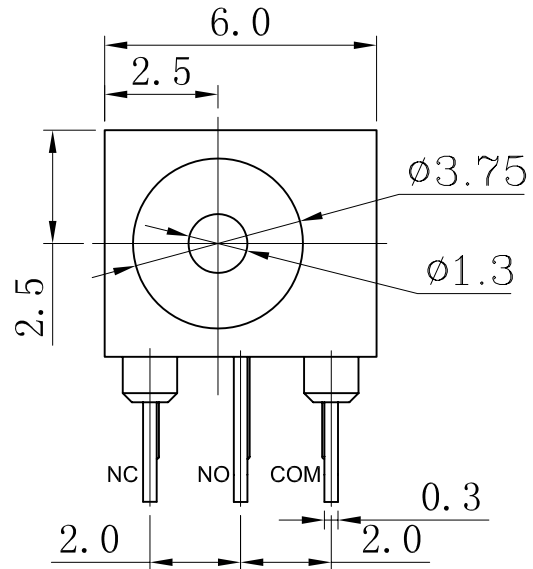
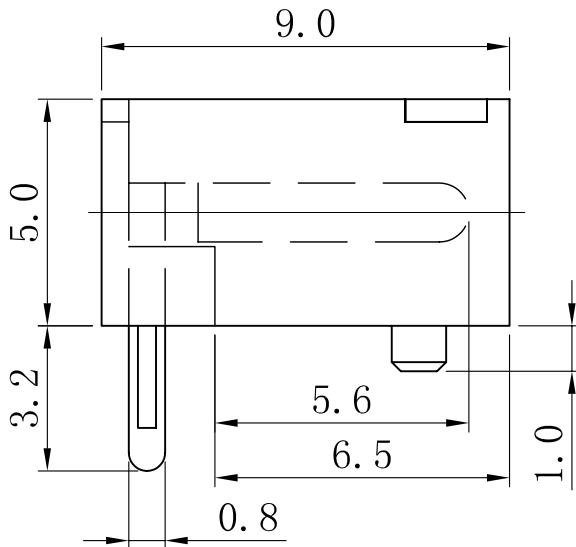
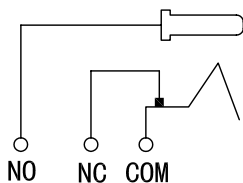


Jacks Type	DC Power Jacks	Model	DC-402
Rating	DC30V 0.3A	Mechanical Life	5,000 cycles
Withstand Voltage	AC500V 1 minute	Electrical Life	1,000 cycles
Insulation Resistance	$\geq 100M\Omega$ DC500V	Operating temperature	-15°C to +65°C
Contact Resistance	$\leq 100m\Omega$ (initial)	Ambient humidity	<85%RH
Solder ability	255 \pm 5°C 3Sec.	Operating force	0.3~3Kgf



HOLE LAYOUT
(BOTTOM VIEW)

SCHEMATIC



Revision	Description		Date	Revisor
Drawing No.	C/0		Tolerance	± 0.2
Drawing Model.	SPECIFICATION OF STANDARD TYPE		Unit	mm
Prepared	Reviewed	Approved	Effective date	