



SWITCH TYPE	Tact Switches	MODEL NO.	TS015-XXPV-160
-------------	---------------	-----------	----------------

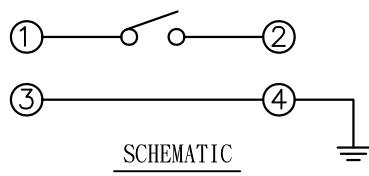
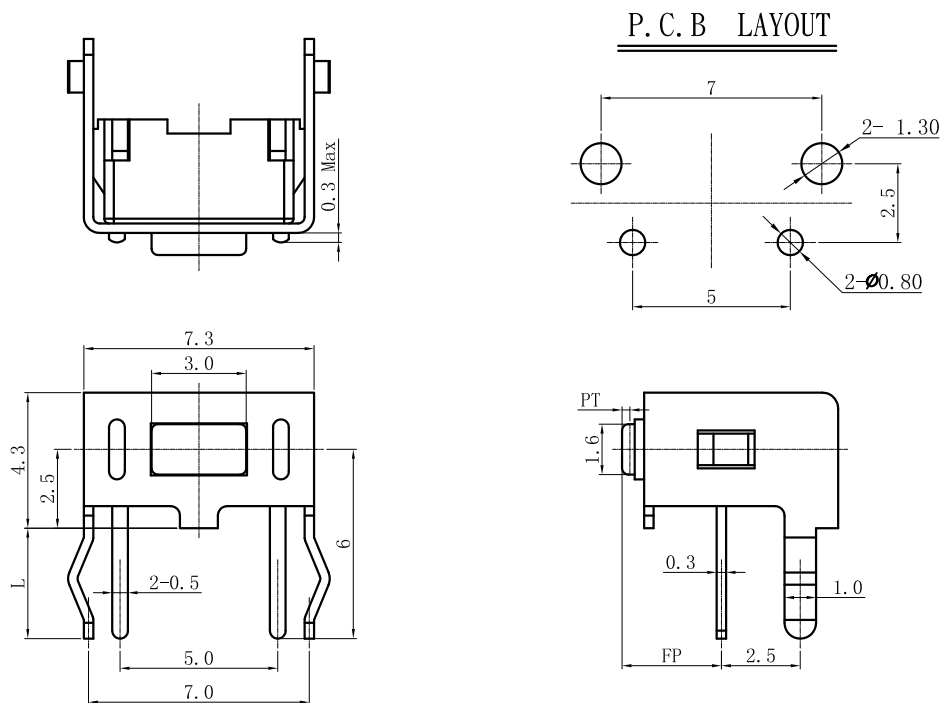
1. Functional spec.

1.1 Rated Voltage	DC 12V	1.6 Free Position	See Chart
1.2 Rated Current	0.2A	1.7 Operating Position	
1.3 Contact Resistance	≤ 100mΩ (Initial value)	1.8 Position Travel	0.25 ± 0.1mm
1.4 Operating Force	160 ± 50gf	1.9 Bounce Time	
1.5 Return Force		1.10	

2. Reliable Rating

2.1 Mechanical Life	10,000 CYCLES	2.5 Soldering Technic	Hand/Reflow soldering
2.2 Electrical Life	10,000 CYCLES	2.6 Operating Temper	-20°C - +70°C
2.3 Insulation Resistance	≥ 100MΩ DC250V (Initial value)	2.7 Ambient Humidity Used	< 85%RH
2.4 Withstand Voltage	AC250V 1 minute (Initial value)	2.8	

3. Dimension Drawing



品名	FP	L	P. C. B Board
TS015D-01PV1	3.15	3.5	t=1.0
TS015D-01PV2	3.15	2.5	t=1.6
TS015D-02PV1	3.85	3.5	t=1.0
TS015D-02PV2	3.85	2.5	t=1.6

Revision	Description			Date	Revisor
Drawing No.	DIC/FP015D-001		A/0	Tolerance	±0.2
Drawing Model.	SPECIFICATION OF STANDARD TYPE			Unit	mm
Prepared	Tess	Reviewed	Dragon, Dung	Approved	Kingsel, Wu
Effective date					20080618