



| | | | |
|-------------|----------------|-----------|----------------|
| SWITCH TYPE | Micro Switches | MODEL NO. | VM5-03N-**-U10 |
|-------------|----------------|-----------|----------------|

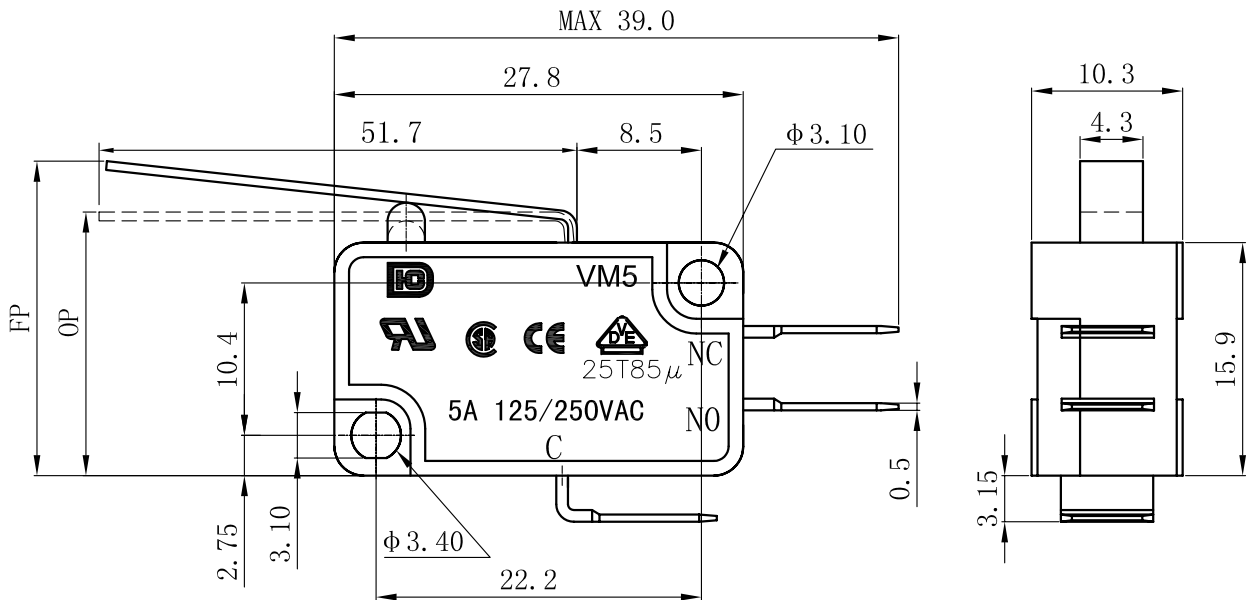
1. Functional spec.

| | | | |
|------------------------|-------------------------|------------------------|---------------|
| 1.1 Rated Voltage | 125/250VAC | 1.6 Free Position | 21.95 ± 2.0mm |
| 1.2 Rated Current | 5A | 1.7 Operating Position | 18.05 ± 2.0mm |
| 1.3 Contact Resistance | ≤ 100mΩ (Initial value) | 1.8 Position Travel | |
| 1.4 Operating Force | (**) gf | 1.9 Return Force | |
| 1.5 Bounce Time | | 1.10 | |

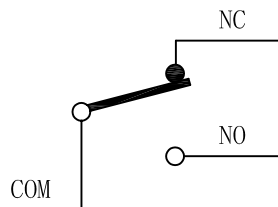
2. Reliable Rating

| | | | |
|---------------------------|----------------------------------|---------------------------|-----------------|
| 2.1 Mechanical Life | 100,000 CYCLES | 2.5 Soldering Technic | Hand Soldering |
| 2.2 Electrical Life | 10,000 CYCLES | 2.6 Operating Temper | -25° C - +85° C |
| 2.3 Insulation Resistance | ≥ 100MΩ DC500V (Initial value) | 2.7 Ambient Humidity Used | < 85%RH |
| 2.4 Withstand Voltage | AC1500V 1 minute (Initial value) | 2.8 | |

3. Dimension Drawing



SCHEMATIC



| | | | |
|----------------|--------------------------------|-----------|----------------|
| Revision | Description | Date | Revisor |
| Drawing No. | C/0 | Tolerance | ± 0.2 |
| Drawing Model. | SPECIFICATION OF STANDARD TYPE | Unit | mm |
| Prepared | Reviewed | Approved | Effective date |